



Wikifriend Access Control System: **WACS**

The only solution in Europe
which combines access control
and customer flow control
along with the system of
measurement
automatic
body temperature



Safe

Smart

Covid-19

- **Preserves health:** measures body temperature without the aid of personnel
- **Respect privacy:** no Internet connection is required, in accordance with GDPR
- **Produced in Europe:** the software is customized in the language of the country of sale
- **Support in Europe:** the system is maintained within the national territory of sale
- **Multifunction:** controls people's access and flow, measures body temperature, verifies the correct use of the medical mask
- **Customizable:** can be integrated with security gates and presence detection and surveillance systems
- **Artificial Intelligence:** uses image recognition algorithms to check people's presence to grand social distancing
- **Detractable:** can be deducted with the tax credit and the health and safety tenders
- **Prevident:** complies with safety regulations while preserving extra PPE costs
- **Ready to use:** easy to assemble, helps businesses, shops, offices, schools, hotels and public places to prevent the spread of infection

Products and solutions

hotels, schools, public places

For places where it is required to check the presence of abnormal body temperature, **WACS-01** consisting of a single device, is the best choice. In this scenario it is possible to automate the control of body temperature and the correct use of the mask. This solution allows to safeguard the control personnel and to save the costs of gloves and masks.



shopping centers, medical centers, gyms and beauty centers, public offices



For all places where the flow of people must be restricted, the **WACS-02** product is available, consisting of pairs of devices, one for entrance and one for the exit. In this way the flow restriction and tally counting can be managed automatically. It also provides for the control of the body temperature and the correct use of the mask. This solution allows to safeguard the health of the personnel in charge of the flow control, as well as to save the costs of the PPE devices

companies and private offices

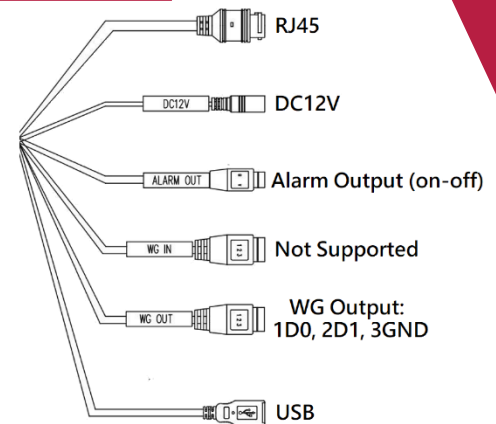
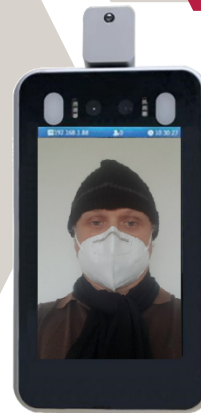
Where necessary, the body temperature control and access control system can be integrated with existing access gates. To this end, we offer the **WACS-03** solution, which can be fully customized to your requirements.



Hardware	
Processor	Hi3516DV300
Operating System	Linux System
Storage	16G
Imaging device	1/2.7" CMOS
Lens	4mm

General features	
Power	DC12V/3A, 20W(MAX)
Operating temperature	-0°C - +50°C
Working capacity with humidity	5 ~ 90% relative humidity, non-condensing
Dimensions	154 (W) * 89 (Thick) * 325 (H) mm
Weight	2.1 kilograms
Languages	Italian, English, Spanish, German, French, Portuguese, Russian, Korean, Japanese

Facial recognition	
Recognition height	1.2-2.2 meters, angle configurable
Recognition distance	Face: 0.5-3m
Facial angle	Horizontal: 30 grades Vertical: 30 grades
Recognition time	< 500ms
Features	Supports 22,400 face comparison libraries and 100,000 face recognition records, recognizes the presence of face masks or other respiratory protection, protective helmets or glasses



Camera	
Camera	Binocular camera, supports real-time detection
Effective pixels	2 million effective pixels, 1920 * 1080
Minimum lighting	Colour 0.01Lux @ F1.2 (ICR); B / W 0.001Lux @ F1.2
Signal-to-noise ratio	≥50db(AGC OFF)
Wide dynamic range	≥80db

Thermal camera	
Range	30°C - 45°C
Accuracy	±0.3°C
Working distance	≤0.5 M
Response time	< 300ms

Interface	
Network	RJ45 10M / 100M adaptive Ethernet port
Wiegand	Supports Wiegand 26 and 34 input or output
USB	1 USB port (can be connected with external ID card reader)
Alarm output	1 digital output